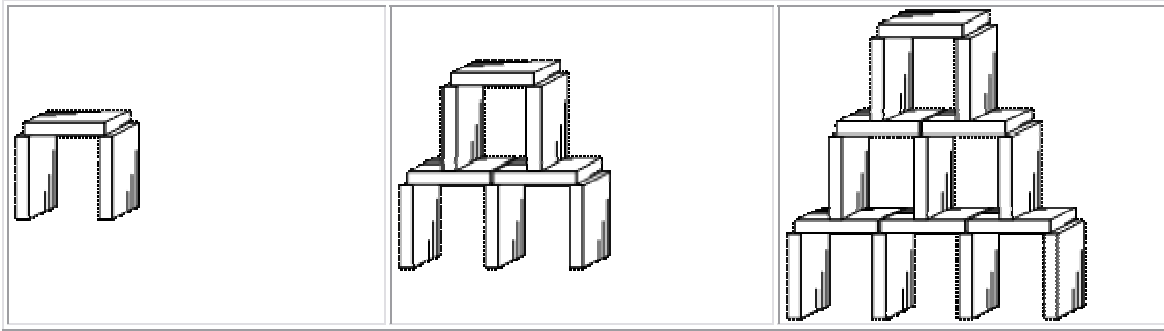


The Why and How of General Terms Copymaster 1.4: Dominoes



<i>n</i> – the number of the term	<i>f(n)</i> - the number of bricks
1	
2	
3	
4	
5	
10	