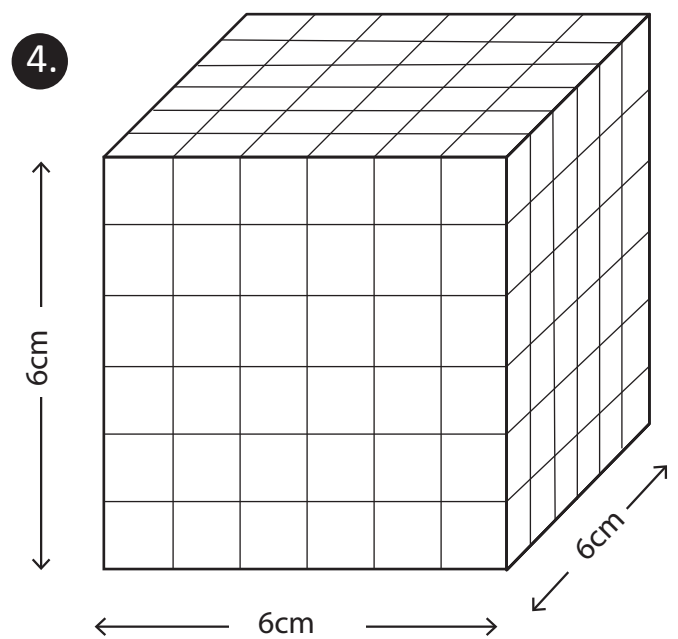
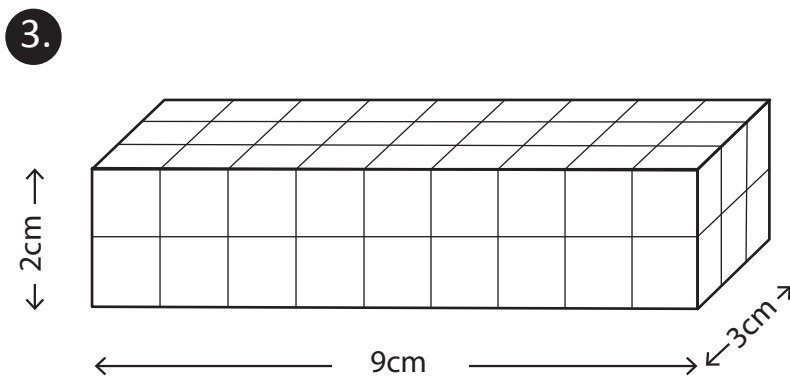
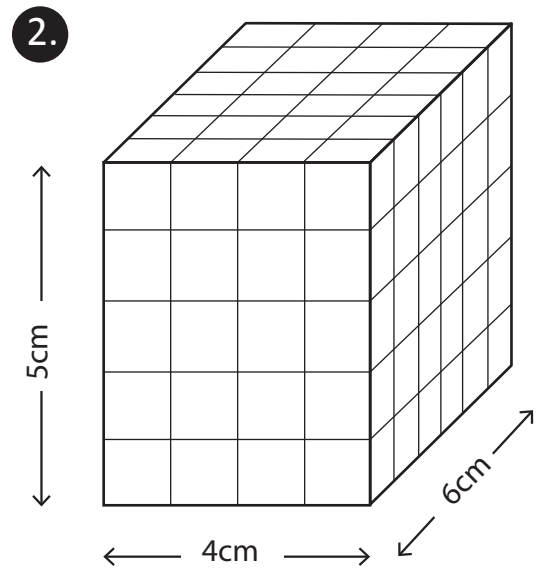
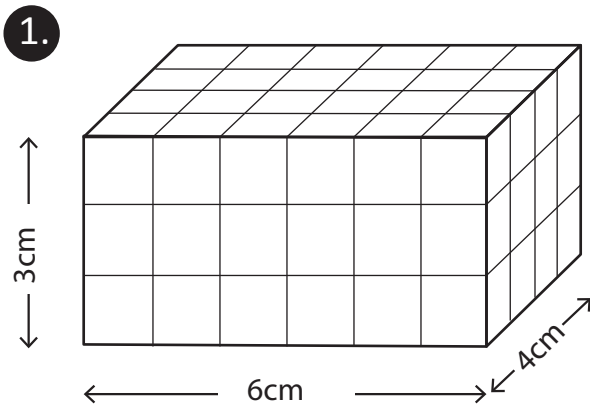


## Spaced out by volume: Volume problems

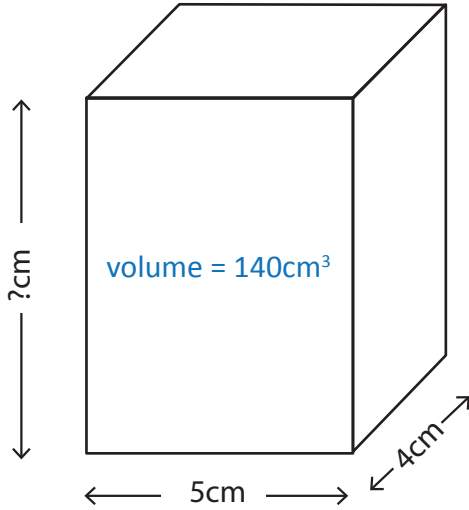
Find the volume of each cuboid in cubic centimetres.



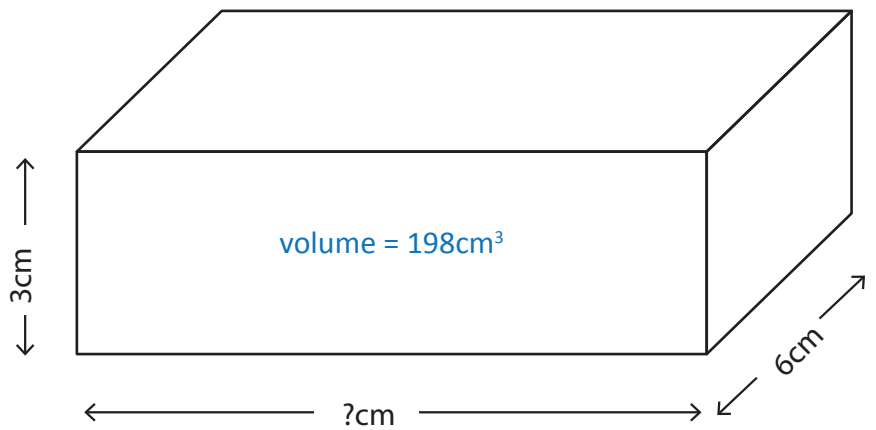
## Spaced out by volume: Volume problems

In the next examples, the volume is given but one side length is missing.  
What is the missing side length?

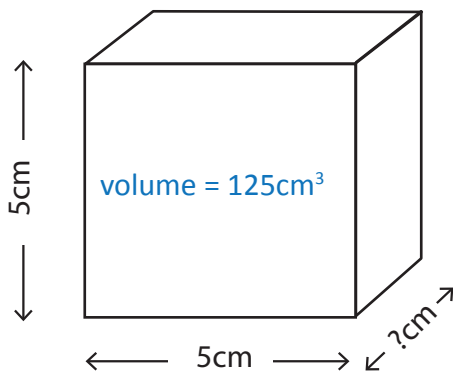
5.



6.



7.



8.

